

## Flexy Compact Cutlery and Bread Glass Dispenser

ITEM # \_\_\_\_\_

MODEL # \_\_\_\_\_

NAME # \_\_\_\_\_

SIS # \_\_\_\_\_

AIA # \_\_\_\_\_



322123 (F32NAW)

Cutlery, bread and glass  
Dispenser

### Short Form Specification

Item No. \_\_\_\_\_

Unit has 2 shelves to accommodate GN containers (not included) for cutlery and bread and one shelf to accommodate glasses. Sturdy construction with laminated panelings on 4 sides. Unit mounted on 125 mm wheels 2 swivel and 2 with brakes.

### Main Features

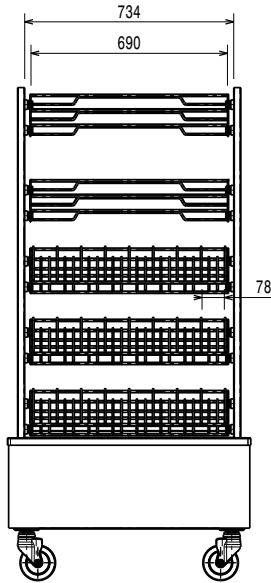
- Unit has 2 shelves to accommodate GN containers (not included) for cutlery and bread and one shelf to accommodate glasses.
- Perfect compact design makes it ideal for space saving environments.
- CB and CE certified by a third party notified body.
- Unit mounted on 125 mm wheels 2 swivel and 2 with brakes.

### Construction

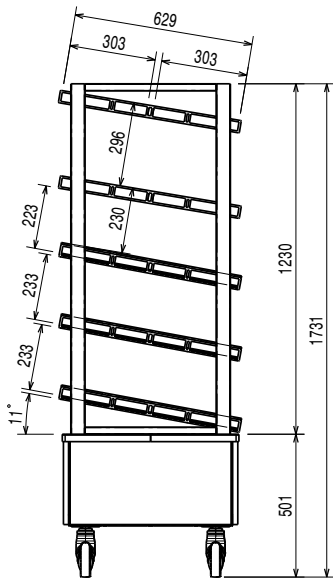
- Sturdy construction with laminated panelings on 4 sides.

APPROVAL: \_\_\_\_\_

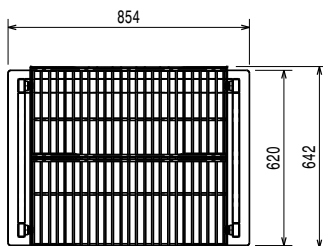
Front



Side



Top



**Electric**

Supply voltage:

Electrical power, max: 0 kW

**Key Information:**

External dimensions, Width: 854 mm

External dimensions, Depth: 642 mm

External dimensions, Height: 1731 mm

Net weight: 45 kg

Foot type:

Foot size: